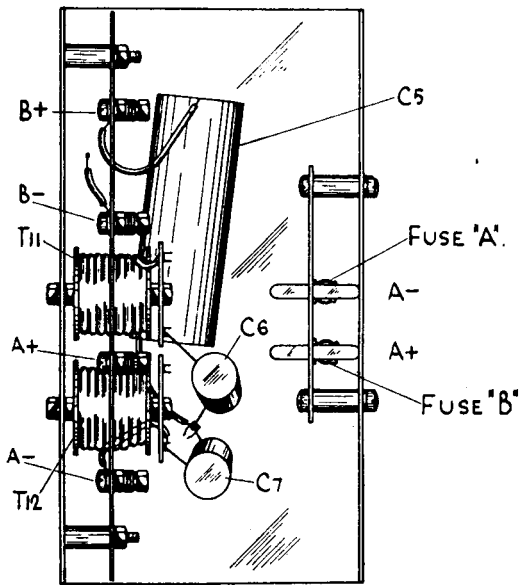
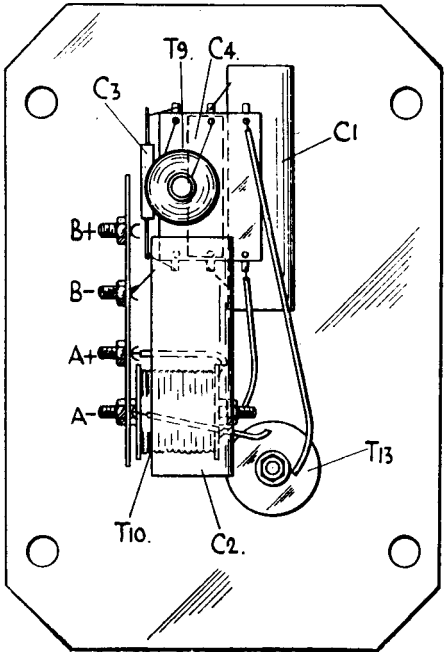


"Radiola" 254 Filter Systems

(Circuit Diagram and Descriptive Matter will be found on page 321.)



At the left is shown the base-plate assembly for the motor-generator set used with Radiola 254, while the layout of the line-filter unit is shown above.